

HARU AIR SERIES



FUNCTIONS

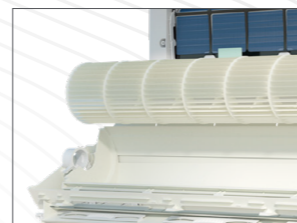
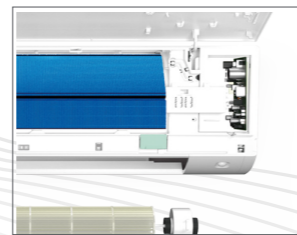
Turbo Cooling: Provides rapid cooling to quickly lower room temperature, ideal for hot summer days.

WiFi Control: Manage your AC unit from anywhere using a smartphone app, offering convenience and flexibility.

+8°C Heating: Keeps rooms warm during cold weather by maintaining a minimal heating temperature.

Sleep Mode: Adjusts settings to create a comfortable sleeping environment, promoting better sleep quality.

Wide Voltage Operation: Ensures reliable performance in areas with unstable voltage, protecting the unit and maintaining efficiency.



HIGHLIGHTS

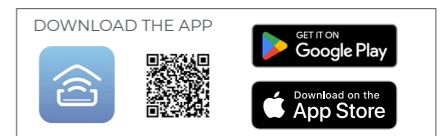
Energy Efficiency: High SEER/EER ratings for cost-effective cooling and heating, making it an eco-friendly choice that reduces energy bills.

Quiet Operation: Low noise levels ensure a peaceful environment, perfect for bedrooms, study rooms, and offices.

Wide Operating Limits: Performs efficiently across a broad range of temperatures, providing reliable comfort in all seasons.

Advanced Filtration: HEPA and stainless steel filters improve indoor air quality by removing dust, allergens, and other pollutants.

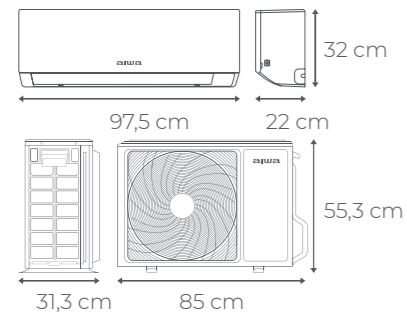
Smart Features: Includes WiFi control for remote operation and Turbo Cooling for rapid temperature adjustments.



HARU AIR

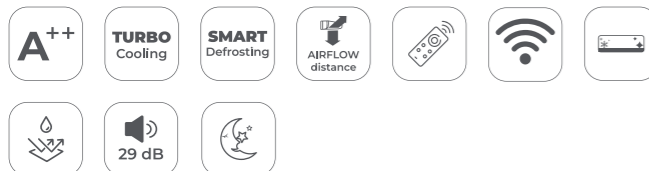
HARU AIR 24

AIR CONDITIONING ACD-24000



| | |
|-------------------------------------------------|-----------|
| Cooling Energy Efficiency (SEER/EER) | 6.70/3.10 |
| Cooling Energy Class | A++ |
| Heating Energy Efficiency (SCOP/COP Mild) | 4.00/3.61 |
| Heating Energy Class (Mild/Warm/Cold) | A+/A+++/- |
| Indoor Cooling / Heating Sound Power Level (Hi) | 64 db |

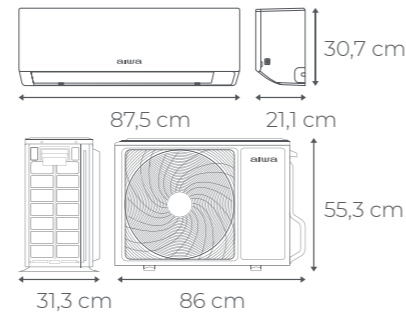
Best for large areas up to 42 square meters. Suitable for expansive living rooms or large office environments, ensuring comprehensive temperature control.



| MODEL: ACD-24000 | | |
|------------------|---------------|------------|
| PRODUCT CODE | BAR CODE | MASTER BOX |
| 9521004 (I) | 8435256900590 | 1 |
| 9521004 (E) | 8435256900651 | 1 |

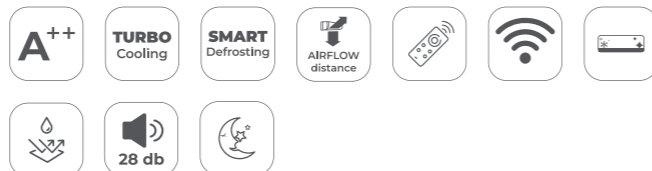
HARU AIR 18

AIR CONDITIONING ACD-18000



| | |
|-------------------------------------------------|-----------|
| Cooling Energy Efficiency (SEER/EER) | 6.30/2.81 |
| Cooling Energy Class | A++ |
| Heating Energy Efficiency (SCOP/COP Mild) | 4.00/3.60 |
| Heating Energy Class (Mild/Warm/Cold) | A+/A+++/- |
| Indoor Cooling / Heating Sound Power Level (Hi) | 60 db |

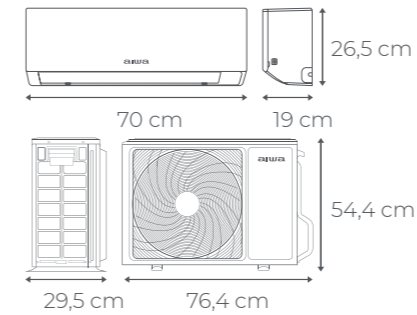
Perfect for larger rooms up to 33 square meters. Ideal for open-plan living areas or larger office spaces, providing uniform comfort.



| MODEL: ACD-18000 | | |
|------------------|---------------|------------|
| PRODUCT CODE | BAR CODE | MASTER BOX |
| 9521003 (I) | 8435256900583 | 1 |
| 9521003 (E) | 8435256900644 | 1 |

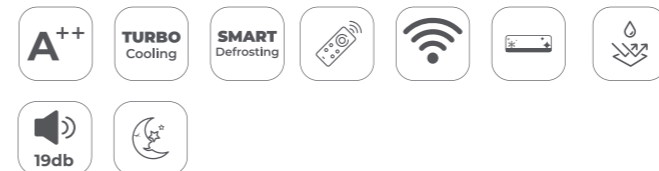
HARU AIR 12

AIR CONDITIONING ACD-12000



| | |
|-------------------------------------------------|-----------|
| Cooling Energy Efficiency (SEER/EER) | 6.10/2.81 |
| Cooling Energy Class | A++ |
| Heating Energy Efficiency (SCOP/COP Mild) | 4.00/3.21 |
| Heating Energy Class (Mild/Warm/Cold) | A+/A+++/- |
| Indoor Cooling / Heating Sound Power Level (Hi) | 57 db |

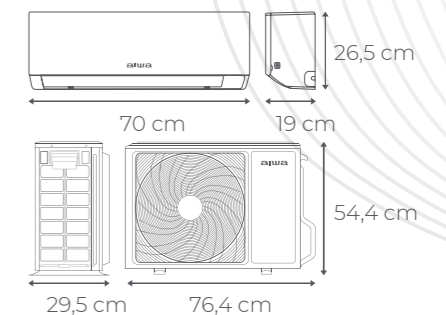
Suitable for medium-sized rooms up to 23 square meters. Great for living rooms or larger bedrooms, offering efficient cooling and heating.



| MODEL: ACD-12000 | | |
|------------------|---------------|------------|
| PRODUCT CODE | BAR CODE | MASTER BOX |
| 9521002 (I) | 8435256900613 | 1 |
| 9521002 (E) | 8435256900637 | 1 |

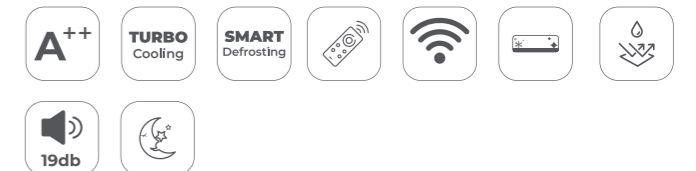
HARU AIR 9

AIR CONDITIONING ACD-9000



| | |
|-------------------------------------------------|-----------|
| Cooling Energy Efficiency (SEER/EER) | 6.1/3.01 |
| Cooling Energy Class | A++ |
| Heating Energy Efficiency (SCOP/COP Mild) | 4/3.21 |
| Heating Energy Class (Mild/Warm/Cold) | A+/A+++/- |
| Indoor Cooling / Heating Sound Power Level (Hi) | 54 db |

Ideal for small rooms up to 14 square meters. Perfect for bedrooms or small offices, ensuring a cool, quiet environment for restful sleep or focused work.



| MODEL: ACD-9000 | | |
|-----------------|---------------|------------|
| PRODUCT CODE | BAR CODE | MASTER BOX |
| 9521001 (I) | 8435256900606 | 1 |
| 9521001 (E) | 8435256900620 | 1 |

| MODEL | | HARUAIR 9 FUJINAIR 9 SUJINAIR 9 | HARUAIR 12 FUJINAIR 12 SUJINAIR 12 | HARUAIR 18 FUJINAIR 18 SUJINAIR 18 | HARUAIR 24 FUJINAIR 24 SUJINAIR 24 | | |
|---------------------------|----------------------------|-------------------------------------------|------------------------------------------|------------------------------------------|------------------------------------------|-------------------|-------|
| | Nominal (Min-Max) | | | | | | |
| | kW | 2.5(0.8-3.0) | 3.20(0.80-3.50) | 4.80(1.30-5.40) | 6.20(1.30-7.40) | | |
| Energy Efficiency | SEER/EER | 6.1/3.01 | 6.10/2.81 | 6.30/2.81 | 6.70/3.10 | | |
| Energy Class | | A++ | A++ | A++ | A++ | | |
| Pdesign Capacity | | | | | | | |
| | kW | 2.5 | 3.20 | 4.80 | 6.20 | | |
| Power Input | Nominal (Min-Max) | | | | | | |
| | kW | 0.83(0.3-1.2) | 1.138(0.30-1.50) | 1.708(0.40-1.90) | 2.000(0.40-2.20) | | |
| Annual Energy Consumption | | | | | | | |
| | kWh/a | 143 | 184 | 267 | 324 | | |
| Operating Limits | Min-Max | | | | | | |
| | °C | -10-43°C(out) | -10-43°C(out) | -15-43°C(out) | -15-43°C(out) | | |
| HEATING | Capacity | Nominal (Min-Max) | | | | | |
| | | Btu/h | 9550(2730-11260) | 11600(2730-12280) | 16380(4430-18420) | 21500(4770-25590) | |
| | Capacity | Nominal (Min-Max) | | | | | |
| | | kW | 2.8(0.8-3.3) | 3.40(0.80-4.00) | 4.80(1.30-5.40) | 6.30(1.40-7.50) | |
| | Energy Efficiency | SCOP/COP (Mild) | 4/3.21 | 4.00/3.21 | 4.00/3.60 | 4.00/3.61 | |
| | | SCOP (Warm/Cold) | 4.60/- | 4.60/- | 5.10/- | 5.10/- | |
| | Energy Class | Mild/Warm/Cold | A+/A++/- | A+/A++/- | A+/A++/- | A+/A++/- | |
| | Pdesign Capacity (-10°C) | | | | | | |
| | | kW | 2.1 | 2.60 | 3.60 | 4.60 | |
| | Power Input | Nominal (Min-Max) | | | | | |
| | kW | 0.872(0.3-1.2) | 1.059(0.30-1.50) | 1.333(0.40-1.90) | 1.745(0.60-2.30) | | |
| Annual Energy Consumption | | | | | | | |
| | kWh/a | 735 | 910 | 1260 | 1610 | | |
| Operating Limits | | | | | | | |
| | °C | -15-24°C(out) | -15-24°C(out) | -15-24°C(out) | -15-24°C(out) | | |
| Power Supply | Ph/V/Hz | 1/220-240/50 | 1/220-240/50 | 1/220-240/50 | 1/220-240/50 | | |
| | Position | | | | | | |
| | | indoor | indoor | outdoor | outdoor | | |
| INDOOR | Net Dimension | W/D/H | 705/193/265 | 705/193/265 | 875/212/304 | 975/222/318 | |
| | Package Dimension | W/D/H | 772/325/263 | 772/325/263 | 945/390/296 | 1050/397/301 | |
| | Net/Shipping Weight | | 7.5/8.8 | 7.8/9.2 | 10.0/12.0 | 11.6/14.4 | |
| | Air Flow (Cooling/Heating) | Max | 520/520 | 520/520 | 770/810 | 1100/1000 | |
| | Sound Power Level | Cooling (Hi) | 54 | 57 | 60 | 64 | |
| | | Heating (Hi) | 54 | 57 | 60 | 64 | |
| | Sound Pressure Level | Cooling (Hi/Mid/Lo/So) | 38/34/30/18 | 39/35/31/19 | 44/40/35/28 | 47/45/37/29 | |
| | | Heating (Hi/Mid/Lo/So) | 38/34/30/18 | 39/35/31/19 | 44/40/35/28 | 47/45/37/29 | |
| | Moisture Removal | | 10-3m³/h | 1.2 | 1.4 | 2 | 2.8 |
| OUTDOOR | Compressor | | HIGHLY | HIGHLY | SANYO | HIGHLY | |
| | Net Dimension | W/D/H | 700/245/544 | 700/245/544 | 800/275/553 | 800/275/553 | |
| | Package Dimension | W/D/H | 819/320/585 | 819/320/585 | 902/375/607 | 902/375/607 | |
| | Net/Shipping Weight | | 21.8/23.9 | 22.9/25 | 29.2/32.1 | 32.7/36.5 | |
| | Air Flow (Cooling/Heating) | Max | 2100/2100 | 2100/2100 | 2200/2200 | 2500/2500 | |
| | Sound Power Level | Hi | 62 | 63 | 65 | 68 | |
| | Sound Pressure Level | Hi | 50 | 50 | 54 | 57 | |
| | Running Current | Max | A | 5.3 | 6.5 | 8.6 | 10.5 |
| | Refrigerant Type | R410a/R32 | | R32 | R32 | R32 | |
| | Refrigerant Charge | R410a/R32 | | 500 | 550 | 780 | 900 |
| | Refrigerant Pipe | Liquid Side Diameter | mm | 6.35 | 6.35 | 6.35 | 6.35 |
| | | Gas Side Diameter | mm | 9.52 | 9.52 | 12.7 | 12.7 |
| | | Max Pipe Length/Height | m | 20/10 | 20/10 | 20/15 | 25/15 |
| | | Max Pipe Length without Additional Charge | m | 5 | 5 | 7 | 7 |
| | Additional Charge | g/m | 20 | 20 | 20 | 20 | |

| FUNCTIONS | INTRODUCTION | 2024 |
|-----------------------------------|----------------------------------------------------------------------------------------------------------------------------------------------------------------------------------------------|----------------------|
| TOSEI AQUA Sterilization | Ionizes the air and releases positive and negative ions to sterilize the air with efficiency up to 97.5%. | Suijinair |
| Triple filter tech | Utilizes mixed powerful filter plus electronic filter, combining to prevent the air conditioner from harmful micro-particles including dust, virus and bacteria | Fujinair & Suijinair |
| Anti-Corrosion | Helps condensate flow smoothly via its hydrophilic and anti-corrosive properties. | ◆ |
| Self Clean | Freezes the evaporator with moisture in the air, and then removes away dirt in melting, ensuring clean air out of the air conditioner. | ◆ |
| WiFi Control | Download the Tuya Intelligent Air App to an Apple or Android smart device, and link the equipment to the smart device for system control from whenever and wherever you want. | ◆ |
| A-PAM Control | Automatically adjusts DC bus voltage in accordance with the compressor load to increase operation voltage range. | ◆ |
| PID Control | Maximizes the working frequency before reaching the desired temperature, and, after that, constantly makes real-time adjustments to match room air temperature with the desired temperature. | ◆ |
| Turbo Cooling | The special control program allows the motor to work at a higher frequency. It enables users to enjoy a cool room within a much shorter time. | ◆ |
| Long Distance Airflow | The indoor unit get improved with better motor, optimized fan and air duct. It enables the air conditioner blows air as long as 20m. | 18K/24K |
| Strong Airflow | With improved fan and air duct, the air conditioner supplies up to 25% more air volume than the conventional. | ◆ |
| Warm Start | Blows no cold air when the unit is starting to work at heating mode, or change from cooling mode to heating mode. | ◆ |
| -15°C Heating | Provides powerful heating performance in cold winter with rotary compressor, etc. | ◆ |
| -10°C Cooling | Works at low ambient temperature with high frequency rotary compressor, optimized refrigerant system and special defrosting programme, etc. | ◆ |
| DC Motor | Ensures reliable operation with much higher energy saving and lower operation sound. | ◆ |
| DC Compressor | Reduces energy loss and maximize power input to achieve much higher energy efficiency. | ◆ |
| Smart Defrosting | Works only when necessary to reduce energy waste, and provide better experience by reducing defrosting time. | ◆ |
| Indoor 5-step Fan Speed | Works at powerful/high/middle/low/quiet speed to give users more choices in airflow control. | ◆ |
| Auto Vertical Airflow | Moves vertically and works with horizontal flaps to achieve various air angle. | ◆ |
| 3-minute Protection | Helps compressor avoid unexpected damages to have longer life. | ◆ |
| Auto Restart | Returns operation to previous air conditioner settings after a sudden power break. | ◆ |
| Wide Voltage Operation | Enable interver AC to start working from 150V-264V | ◆ |
| 89 Display | Shows clearly the real-time room temperature or desired temperature on the panel. | ◆ |
| Auto Mode | Helps air conditioner choose cooling or heating automatically based on desired temperature and ambient temperature. | ◆ |
| Integrated Structure | Combines the bottom base, drain pan and frame casing together to level up product reliability and lower vibration. | ◆ |
| Low Watt Standby | Lowers stand-by power consumption from 8W to about 1W by optimizing control programme. | ◆ |
| Outdoor 7-step Fan Speed | Makes adjustments according to the control of ambient sensor and tubing sensor to optimize heat exchange performance and improve energy efficiency. | ◆ |
| Coanda Plus Airflow | Makes the wind out of the air conditioner further, faster, and stronger, so that the cool air can be evenly delivered to every corner of the room. | ◆ |
| Whispering Air | Ensures your peace of mind with optimized fan, air duct and motor. | ◆ |
| Dry Function | Adjusts fan speed automatically according to room air temperature to achieve either mild dehumidification or strong dehumidification. | ◆ |
| 3D Airflow | Delivers comfortable airflow to every corner of your room with the constant horizontal and vertical movements of airflow blades. | Fujinair & Suijinair |
| Intelligent Air | Directs the airflow upwards at cooling mode, and downwards at heating mode to provide better air conditioning performance. | ◆ |
| Sleep Mode | Provides maximum comfort and energy saving during your good night's sleep. | ◆ |
| Positioning Specifications | Help fix the mounting plate and hang air conditioner at proper position. | ◆ |
| Extended Kickstand | Makes the installation easy with larger operation area to install and service. | ◆ |
| Easy Access Control Board | Simplifies dismounting and maintenance without disassembling casing. | ◆ |
| Wider Tubing Space | Saves installation time with larger operation space for piping and wiring. | ◆ |
| Easy Access Fan Motor | Simplifies dismounting and maintenance without disassembling evaporator. | ◆ |
| Self-diagnosis | Shows the error code on the LED display of the indoor unit to make the maintenance easier. | ◆ |

| |
|-----------------------|
| SPECIFICATIONS |
|-----------------------|

| | | | |
|-------------|--|--|--|
| TYPE | | | |
|-------------|--|--|--|

| | | | |
|-----------------|-------------------------|-------------------------------|----------------------|
| Category: | AIR TREATMENT | Product Code: | 9521001 |
| Product Family: | Air Conditioning | EAN Code Split (I): | 8435256900606 |
| Type: | HARUAIR Series | EAN Code Outdoor machine (E): | 8435256900620 |

| | | | |
|-------------------|--|--|--|
| AESTHETICS | | | |
|-------------------|--|--|--|

| | | | |
|------------|--------------|----------------|----------------|
| Colour: | White | Aesthetic: | HARUAIR |
| Finishing: | Satin | Body material: | Plastic |

| | | | |
|------------------------------|--|--|--|
| PROGRAMME / FUNCTIONS | | | |
|------------------------------|--|--|--|

| | | | |
|---------------------------|------------|-------------------|------------|
| TOSEI AQUA Sterilization: | No | WiFi Control: | Yes |
| Long Distance Airflow: | No | Turbo Cooling: | Yes |
| 3D Airflow: | No | Strong Airflow: | Yes |
| Triple filter tech: | No | Warm Start: | Yes |
| Anti-Corrosion: | Yes | Smart Defrosting: | Yes |

| | | | |
|-----------------|--|--|--|
| CONTROLS | | | |
|-----------------|--|--|--|

| | | | |
|------------------|------------|-------------------|--------------|
| REMOTE CONTROL: | Yes | Buttons material: | Ruber |
| Pulsante ON/OFF: | Yes | | |

| | | | |
|-----------------------------------|--|--|--|
| TECHNICAL FEATURES COOLING | | | |
|-----------------------------------|--|--|--|

| | | | |
|----------------------------------|--------------------------|-----------------------------|--------------------------|
| Capacity Nominal (Min-Max)BTU/H: | 8530 (2730-10230) | P. design Capacity: | 2,5 kw |
| Caapcity Nominal (Min-Max)KW: | 2,5 (0,8-3,0) | P. Input Nominal (Min-Max): | 0,83 (0,3-1,2) KW |
| SEER/EER: | 6,1 / 3,01 | Annual Energy Consumption: | 143 KW |
| Energy Class: | A++ | Operating Limits Min-Max: | -10-43°C(out) |

| | | | |
|-----------------------------------|--|--|--|
| TECHNICAL FEATURES HEATING | | | |
|-----------------------------------|--|--|--|

| | | | |
|------------------------------|--------------------------|-------------------------------|------------------------------|
| Cap. Nominal (Min-Max)BTU/H: | 9550 (2730-11260) | P. design Capacity (-10°C): | 2,1 kw |
| Cap. Nominal (Min-Max)KW: | 2,8 (0,8-3,3) | P. Input Nominal (Min-Max): | 0,872 (0,3-1,2) kw |
| SCOP/COP (Mild): | 4 / 3,21 | Annual Energy Consumption: | 735 kw |
| SCOP (Warm/Cold): | 4,60 / - | Operating Limits: | -15-24°C(out) |
| Energy Class Mild/Warm/Cold: | A+ / A++ / - | P. Supply Ph/V/Hz (position): | 1/220-240/50 (indoor) |

| | | | |
|---------------------------------|--|--|--|
| TECNICAL FEATURES INDOOR | | | |
|---------------------------------|--|--|--|

| | | | |
|-----------------------------|-----------------------|-------------------------------|-----------------------|
| Air Flow (Cooling/Heating): | 520 / 520 m³/h | Sound Cooling (Hi/Mid/Lo/So): | 38/34/30/18 dB |
| Sound P. Cooling: | 54 dB | Sound Heating (Hi/Mid/Lo/So): | 38/34/30/18 dB |
| Sound P. Heating: | 54 dB | Moisture Removal 10-3m³/h: | 1,2 |

| | | | |
|----------------------------------|--|--|--|
| TECNICAL FEATURES OUTDOOR | | | |
|----------------------------------|--|--|--|

| | | | |
|-----------------------------|-------------------------|----------------------------|----------------|
| Air Flow (Cooling/Heating): | 2100 / 2100 m³/h | Refrigerant Pipe Diameter: | 6,35 mm |
| Sound P. Cooling: | 62 dB | Gas Side Diameter: | 9,52 mm |
| Sound P. Heating: | 50 dB | Max Pipe Length/Height: | 20/10 m |
| Running Current Max: | 5,3 | Max Pipe Length Charge: | 5 m |
| Refrigerant Type: | R32 | Additional Charge: | 20 g/m |
| Refrigerant Charge: | 500 gr | Compressor: | HIGHLY |

| | | | |
|------------------------------|--|--|--|
| ELECTRICAL CONNECTION | | | |
|------------------------------|--|--|--|

| | | | |
|------------|-------------------|----------------|---------------|
| Rating: | 220-240 V~ | Power cooling: | 2,5 kw |
| Frequency: | 50 Hz | Power heating: | 2,8 kw |

| | | | |
|------------------------------------|--|--|--|
| LOGISTIC INFORMATION INDOOR | | | |
|------------------------------------|--|--|--|

| | | | |
|--------------------------|-----------------------|----------------------|---------------------|
| Net Dimension W/D/H: | 705/193/265 mm | Net/Shipping Weight: | 7,5 / 8,8 kg |
| Package Dimension W/D/H: | 772/325/263 mm | Mater Box: | 1 |

| | | | |
|-------------------------------------|--|--|--|
| LOGISTIC INFORMATION OUTDOOR | | | |
|-------------------------------------|--|--|--|

| | | | |
|--------------------------|-----------------------|----------------------|-----------------------|
| Net Dimension W/D/H: | 700/245/544 mm | Net/Shipping Weight: | 21,8 / 23,9 kg |
| Package Dimension W/D/H: | 819/320/585 mm | Mater Box: | 1 |