

# MIZUSUI PRO



WET & DRY  
HOME CARE



MIZUSUI PRO

WET & DRY AFC-800

- **Power:** 11K Pa for comprehensive cleaning.
- **Battery Specs:** Long-lasting battery for up to 80 minutes of operation.
- **Accessories:** Multiple attachments for various cleaning scenarios.
- **Running Time:** 60 minutes to cover larger areas without interruption.
- **Suction Power:** 11K Pa to tackle tough stains and debris.
- **Self-Cleaning:** Automated cleaning at the docking station for maintenance ease. Dirty water tank: 500ml  
Clean water: 300ml

**Versatile Cleaning:** Designed for multiple cleaning scenarios, not just floors but also fabrics and glass.

**Fabric Functionality:** Specialized brushes target and remove fabric stains with ease.

**Powerful Suction:** At 11K Pa, it provides a deep clean on various surfaces.

**Multi-Purpose Brushes:** Interchangeable brushes for diverse cleaning tasks, including crevices.

**Extended Runtime:** Offers a substantial 80-minute cleaning period per charge.

**User-Friendly Design:** Lightweight and designed for easy maneuvering.

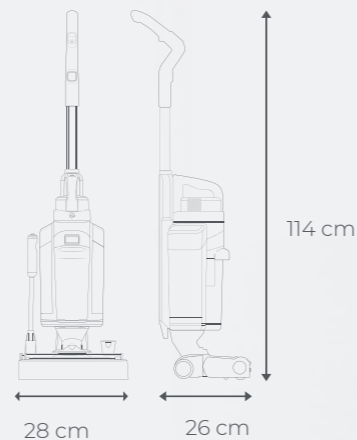
**Self-Cleaning Technology:** Features an innovative system for hassle-free maintenance.

**Hygienic Materials:** Uses anti-bacterial materials for a healthier home environment.

MODEL: AFC-800

PRODUCT CODE	BAR CODE	MASTER BOX
9362001	8435256810219	1

Power	200W
Suction	11K Pa
Noise Level (dB)	72
Charging time	5h
Main motor	60000 rpm
Brush speed	450 rpm
Charging base	Yes
Weight (Kg)	4,8
Water tank (clean/dirty)	0,3 L / 0,5 L
Endurance time	60 min
Accessories	10



200W	Cordless	5200 mAh 18 V Battery	60 minutes Running Time	5 Presets	10 Accessories
HYBRID Cleaning System	MULTI Surface application	Self-Cleaning Roller Brush	72db	0.30L Clean Water	0.50L Dirty Tank

## SPECIFICATIONS

TYPE			
Category:	<b>HOME CARE</b>	Product Code:	<b>9362001</b>
Product Family:	<b>Cleaner</b>	EAN Code:	<b>8435256810219</b>
Type:	<b>Wet and Dry</b>	Motor power:	<b>200W</b>

AESTHETICS			
Colour:	<b>Dark gray</b>	Body material:	<b>Plastic</b>
Finishing:	<b>Matte</b>	Body material tube:	<b>Aluminium</b>
Aesthetic:	<b>MIZUSUI</b>	Color flex tube:	<b>Aluminium</b>

PROGRAMME / FUNCTIONS			
Presets:	<b>5</b>	Multi surface application:	<b>Yes</b>
Hybrid cleaning system:	<b>Yes</b>	Self-Cleaning roller brush:	<b>Yes</b>

CONTROLS			
Button ON/OFF:	<b>Yes</b>	Water flow:	<b>Low / High</b>
Roll self cleaning:	<b>Yes</b>	Led Screen:	<b>Yes</b>

TECHNICAL FEATURES			
Cordless:	<b>Yes</b>	Type of tube:	<b>Aluminium / Plastic</b>
Charging base:	<b>Yes</b>	Tubes:	<b>Flex tube and rigid tube</b>
Suction Power:	<b>11 Kpa</b>	Type of brush:	<b>Motorized brush</b>
Noise Level:	<b>72 dB</b>	Water tank (clean/dirty):	<b>0,3 L / 0,5 L</b>
Running Time:	<b>Up to 60 minutes</b>	Accessories:	<b>10</b>
Self-Cleaning:	<b>Yes</b>	Pet Care accessories:	<b>No</b>

ELECTRICAL CONNECTION			
Ultra fast Charging time:	<b>Yes</b>	Power:	<b>200 W</b>
Frequency:	<b>18V~</b>	Cordless:	<b>Yes</b>
Battery:	<b>18V~ 5200mAh</b>	Charging base:	<b>Yes</b>

LOGISTIC INFORMATION			
Product length:	<b>286 mm</b>	Gross weight (kg):	<b>9,5 kg</b>
Product width:	<b>228 mm</b>	Net weight (kg):	<b>4,8 kg</b>
Product height:	<b>1115 mm</b>	Type of packaging:	<b>Cartone</b>
Width of the packed product:	<b>403 mm</b>	Carton box height:	<b>41 cm</b>
Depth of packaged product:	<b>260 mm</b>	Carton box dimensions:	<b>710x268x410 mm</b>
Height of the packed product:	<b>700 mm</b>	Master BOX	<b>1</b>