

# SUIJINAIR SERIES



## FUNCTIONS

**+8°C Heating:** Maintains a low heat setting to prevent freezing, making it suitable for colder climates.

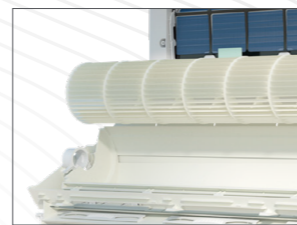
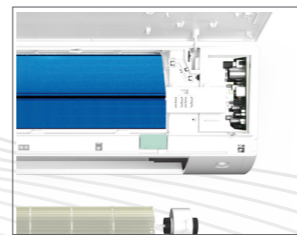
**Turbo Cooling:** Rapidly reduces room temperature for immediate comfort, perfect for hot summer days.

**Self Clean:** An automatic cleaning function that ensures the unit remains efficient and hygienic by reducing dust and moisture build-up.

**Anti-Corrosion:** Protects the unit from rust and corrosion, enhancing durability and longevity.

**Smart Control:** Features WiFi control for remote operation, allowing you to adjust settings from anywhere using your smartphone.

**Aqua Sterilization:** Uses advanced ionization technology to sterilize the air, removing harmful particles and improving overall air quality. better sleep.



## HIGHLIGHTS

**High Efficiency:** Superior SEER/EER ratings offer exceptional energy savings without compromising performance, making it a cost-effective choice for both home and office use.

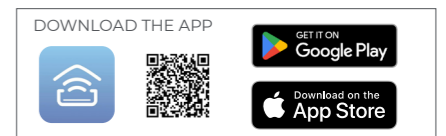
**Quiet Performance:** Operates at minimal noise levels, creating a tranquil environment ideal for living rooms, bedrooms, and offices.

**Innovative Features:** Equipped with advanced technology like +8°C heating and Turbo Cooling, providing rapid temperature adjustments and efficient heating solutions.

**Compact and Stylish:** Modern design complements any interior décor, making these units both aesthetically pleasing and space-efficient.

**Robust Filtration:** Dual filtration systems enhance air quality by effectively removing dust, allergens, and other pollutants.

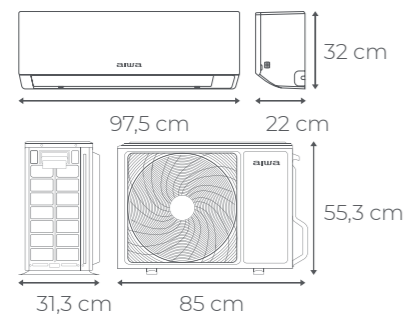
**Aqua Sterilization:** Uses ionization to sterilize the air, providing a healthier and cleaner indoor environment by removing harmful particles.



# SUIJINAIR

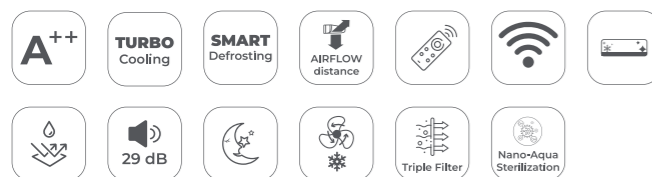
## SUIJINAIR 24

AIR CONDITIONING ACD-24200



|   |           |
|---|-----------|
| Cooling Energy Efficiency (SEER/EER)            | 6.70/3.10 |
| Cooling Energy Class                            | A++       |
| Heating Energy Efficiency (SCOP/COP Mild)       | 4.00/3.61 |
| Heating Energy Class (Mild/Warm/Cold)           | A+/A+++/- |
| Indoor Cooling / Heating Sound Power Level (Hi) | 64 db     |

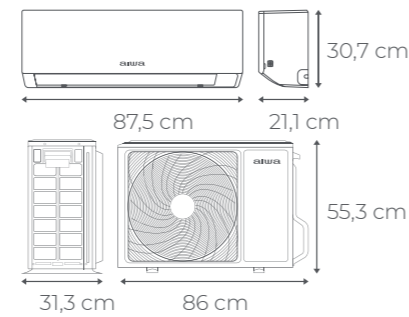
Perfect for very large areas up to 42 square meters. Suitable for expansive living rooms or open-plan offices, offering superior air quality and consistent comfort.



| MODEL: ACD-24200 |               |            |
|------------------|---------------|------------|
| PRODUCT CODE     | BAR CODE      | MASTER BOX |
| 9521012 (I)      | 8435256810967 | 1          |
| 9521012 (E)      | 8435256810974 | 1          |

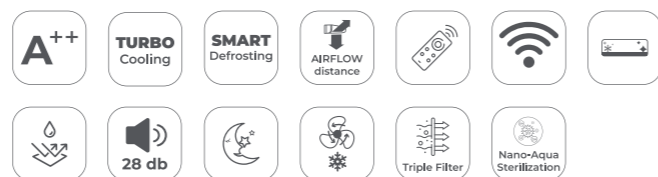
## SUIJINAIR 18

AIR CONDITIONING ACD-18200



|   |           |
|---|-----------|
| Cooling Energy Efficiency (SEER/EER)            | 6.30/2.81 |
| Cooling Energy Class                            | A++       |
| Heating Energy Efficiency (SCOP/COP Mild)       | 4.00/3.60 |
| Heating Energy Class (Mild/Warm/Cold)           | A+/A+++/- |
| Indoor Cooling / Heating Sound Power Level (Hi) | 60 db     |

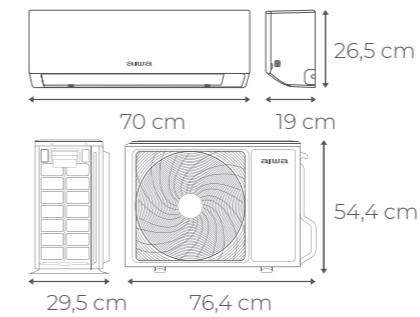
Best for larger spaces up to 33 square meters. Ideal for big living areas or large offices, the advanced filtration and sterilization ensure a comfortable and healthy environment.



| MODEL: ACD-18200 |               |            |
|------------------|---------------|------------|
| PRODUCT CODE     | BAR CODE      | MASTER BOX |
| 9521011 (I)      | 8435256810943 | 1          |
| 9521011 (E)      | 8435256810950 | 1          |

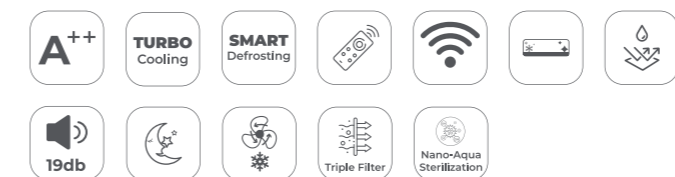
## SUIJINAIR 12

AIR CONDITIONING ACD-12200



|   |           |
|---|-----------|
| Cooling Energy Efficiency (SEER/EER)            | 6.10/2.81 |
| Cooling Energy Class                            | A++       |
| Heating Energy Efficiency (SCOP/COP Mild)       | 4.00/3.21 |
| Heating Energy Class (Mild/Warm/Cold)           | A+/A+++/- |
| Indoor Cooling / Heating Sound Power Level (Hi) | 57 db     |

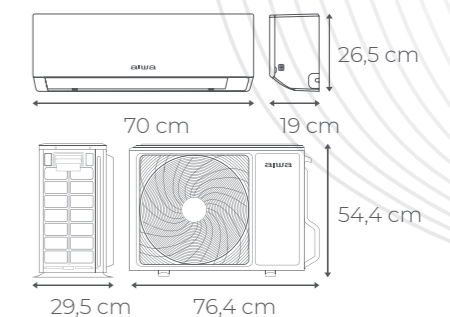
Suitable for rooms up to 23 square meters. Great for living rooms or larger bedrooms, providing efficient cooling and heating while maintaining air purity.



| MODEL: ACD-12200 |               |            |
|------------------|---------------|------------|
| PRODUCT CODE     | BAR CODE      | MASTER BOX |
| 9521010 (I)      | 8435256810929 | 1          |
| 9521010 (E)      | 8435256810936 | 1          |

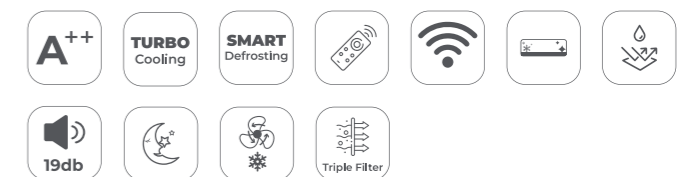
## SUIJINAIR 9

AIR CONDITIONING ACD-9200



|   |           |
|---|-----------|
| Cooling Energy Efficiency (SEER/EER)            | 6.1/3.01  |
| Cooling Energy Class                            | A++       |
| Heating Energy Efficiency (SCOP/COP Mild)       | 4/3.21    |
| Heating Energy Class (Mild/Warm/Cold)           | A+/A+++/- |
| Indoor Cooling / Heating Sound Power Level (Hi) | 54 db     |

Ideal for small spaces up to 14 square meters. Perfect for bedrooms or small offices, ensuring cool and clean air with Aqua Sterilization for enhanced health benefits.



| MODEL: ACD-9200 |               |            |
|-----------------|---------------|------------|
| PRODUCT CODE    | BAR CODE      | MASTER BOX |
| 9521009 (I)     | 8435256810905 | 1          |
| 9521009 (E)     | 8435256810912 | 1          |

| MODEL                     |                            | HARUAIR 9<br>FUJINAIR 9<br>SUJINAIR 9     | HARUAIR 12<br>FUJINAIR 12<br>SUJINAIR 12 | HARUAIR 18<br>FUJINAIR 18<br>SUJINAIR 18 | HARUAIR 24<br>FUJINAIR 24<br>SUJINAIR 24 |                   |       |
|---------------------------|----------------------------|---|--|--|--|-------------------|-------|
|                           | Nominal (Min-Max)          |   |  |  |  |                   |       |
|                           | kW                         | 2.5(0.8-3.0)                              | 3.20(0.80-3.50)                          | 4.80(1.30-5.40)                          | 6.20(1.30-7.40)                          |                   |       |
| Energy Efficiency         | SEER/EER                   | 6.1/3.01                                  | 6.10/2.81                                | 6.30/2.81                                | 6.70/3.10                                |                   |       |
| Energy Class              |                            | A++                                       | A++                                      | A++                                      | A++                                      |                   |       |
| Pdesign Capacity          |                            |   |  |  |  |                   |       |
|                           | kW                         | 2.5                                       | 3.20                                     | 4.80                                     | 6.20                                     |                   |       |
| Power Input               | Nominal (Min-Max)          |   |  |  |  |                   |       |
|                           | kW                         | 0.83(0.3-1.2)                             | 1.138(0.30-1.50)                         | 1.708(0.40-1.90)                         | 2.000(0.40-2.20)                         |                   |       |
| Annual Energy Consumption |                            |   |  |  |  |                   |       |
|                           | kWh/a                      | 143                                       | 184                                      | 267                                      | 324                                      |                   |       |
| Operating Limits          | Min-Max                    |   |  |  |  |                   |       |
|                           | °C                         | -10-43°C(out)                             | -10-43°C(out)                            | -15-43°C(out)                            | -15-43°C(out)                            |                   |       |
| HEATING                   | Capacity                   | Nominal (Min-Max)                         |  |  |  |                   |       |
|                           |                            | Btu/h                                     | 9550(2730-11260)                         | 11600(2730-12280)                        | 16380(4430-18420)                        | 21500(4770-25590) |       |
|                           | Capacity                   | Nominal (Min-Max)                         |  |  |  |                   |       |
|                           |                            | kW  | 2.8(0.8-3.3)                             | 3.40(0.80-4.00)                          | 4.80(1.30-5.40)                          | 6.30(1.40-7.50)   |       |
|                           | Energy Efficiency          | SCOP/COP (Mild)                           | 4/3.21                                   | 4.00/3.21                                | 4.00/3.60                                | 4.00/3.61         |       |
|                           |                            | SCOP (Warm/Cold)                          | 4.60/-                                   | 4.60/-                                   | 5.10/-                                   | 5.10/-            |       |
|                           | Energy Class               | Mild/Warm/Cold                            | A+/A++/-                                 | A+/A++/-                                 | A+/A++/-                                 | A+/A++/-          |       |
|                           | Pdesign Capacity (-10°C)   |   |  |  |  |                   |       |
|                           |                            | kW  | 2.1                                      | 2.60                                     | 3.60                                     | 4.60              |       |
| Power Input               | Nominal (Min-Max)          |   |  |  |  |                   |       |
|                           | kW                         | 0.872(0.3-1.2)                            | 1.059(0.30-1.50)                         | 1.333(0.40-1.90)                         | 1.745(0.60-2.30)                         |                   |       |
| Annual Energy Consumption |                            |   |  |  |  |                   |       |
|                           | kWh/a                      | 735                                       | 910                                      | 1260                                     | 1610                                     |                   |       |
| Operating Limits          |                            |   |  |  |  |                   |       |
|                           | °C                         | -15-24°C(out)                             | -15-24°C(out)                            | -15-24°C(out)                            | -15-24°C(out)                            |                   |       |
| Power Supply              | Ph/V/Hz                    | 1/220-240/50                              | 1/220-240/50                             | 1/220-240/50                             | 1/220-240/50                             |                   |       |
|                           | Position                   | indoor                                    | indoor                                   | outdoor                                  | outdoor                                  |                   |       |
| INDOOR                    | Net Dimension              | W/D/H                                     | 705/193/265                              | 705/193/265                              | 875/212/304                              | 975/222/318       |       |
|                           | Package Dimension          | W/D/H                                     | 772/325/263                              | 772/325/263                              | 945/390/296                              | 1050/397/301      |       |
|                           | Net/Shipping Weight        |   | 7.5/8.8                                  | 7.8/9.2                                  | 10.0/12.0                                | 11.6/14.4         |       |
|                           | Air Flow (Cooling/Heating) | Max                                       | 520/520                                  | 520/520                                  | 770/810                                  | 1100/1000         |       |
|                           | Sound Power Level          | Cooling (Hi)                              | 54                                       | 57                                       | 60                                       | 64                |       |
|                           |                            | Heating (Hi)                              | 54                                       | 57                                       | 60                                       | 64                |       |
|                           | Sound Pressure Level       | Cooling (Hi/Mid/Lo/So)                    | 38/34/30/18                              | 39/35/31/19                              | 44/40/35/28                              | 47/45/37/29       |       |
|                           |                            | Heating (Hi/Mid/Lo/So)                    | 38/34/30/18                              | 39/35/31/19                              | 44/40/35/28                              | 47/45/37/29       |       |
|                           | Moisture Removal           |   | 10-3m³/h                                 | 1.2                                      | 1.4                                      | 2                 | 2.8   |
| OUTDOOR                   | Compressor                 |   | HIGHLY                                   | HIGHLY                                   | SANYO                                    | HIGHLY            |       |
|                           | Net Dimension              | W/D/H                                     | 700/245/544                              | 700/245/544                              | 800/275/553                              | 800/275/553       |       |
|                           | Package Dimension          | W/D/H                                     | 819/320/585                              | 819/320/585                              | 902/375/607                              | 902/375/607       |       |
|                           | Net/Shipping Weight        |   | 21.8/23.9                                | 22.9/25                                  | 29.2/32.1                                | 32.7/36.5         |       |
|                           | Air Flow (Cooling/Heating) | Max                                       | 2100/2100                                | 2100/2100                                | 2200/2200                                | 2500/2500         |       |
|                           | Sound Power Level          | Hi  | 62                                       | 63                                       | 65                                       | 68                |       |
|                           | Sound Pressure Level       | Hi  | 50                                       | 50                                       | 54                                       | 57                |       |
|                           | Running Current            | Max                                       | A  | 5.3                                      | 6.5                                      | 8.6               | 10.5  |
|                           | Refrigerant Type           | R410a/R32                                 | R32                                      | R32                                      | R32                                      | R32               |       |
|                           | Refrigerant Charge         | R410a/R32                                 | g  | 500                                      | 550                                      | 780               | 900   |
|                           | Refrigerant Pipe           | Liquid Side Diameter                      | mm                                       | 6.35                                     | 6.35                                     | 6.35              | 6.35  |
|                           |                            | Gas Side Diameter                         | mm                                       | 9.52                                     | 9.52                                     | 12.7              | 12.7  |
|                           |                            | Max Pipe Length/Height                    | m  | 20/10                                    | 20/10                                    | 20/15             | 25/15 |
|                           |                            | Max Pipe Length without Additional Charge | m  | 5  | 5  | 7                 | 7     |
|                           | Additional Charge          | g/m                                       | 20                                       | 20                                       | 20                                       | 20                |       |

| FUNCTIONS                         | INTRODUCTION   | 2024                 |
|-----------------------------------|--|----------------------|
| <b>TOSEI AQUA Sterilization</b>   | Ionizes the air and releases positive and negative ions to sterilize the air with efficiency up to 97.5%.  | Suijinair            |
| <b>Triple filter tech</b>         | Utilizes mixed powerful filter plus electronic filter, combining to prevent the air conditioner from harmful micro-particles including dust, virus and bacteria                              | Fujinair & Suijinair |
| <b>Anti-Corrosion</b>             | Helps condensate flow smoothly via its hydrophilic and anti-corrosive properties.  | ◆                    |
| <b>Self Clean</b>                 | Freezes the evaporator with moisture in the air, and then removes away dirt in melting, ensuring clean air out of the air conditioner.   | ◆                    |
| <b>WiFi Control</b>               | Download the Tuya Intelligent Air App to an Apple or Android smart device, and link the equipment to the smart device for system control from whenever and wherever you want.                | ◆                    |
| <b>A-PAM Control</b>              | Automatically adjusts DC bus voltage in accordance with the compressor load to increase operation voltage range.   | ◆                    |
| <b>PID Control</b>                | Maximizes the working frequency before reaching the desired temperature, and, after that, constantly makes real-time adjustments to match room air temperature with the desired temperature. | ◆                    |
| <b>Turbo Cooling</b>              | The special control program allows the motor to work at a higher frequency. It enables users to enjoy a cool room within a much shorter time.  | ◆                    |
| <b>Long Distance Airflow</b>      | The indoor unit get improved with better motor, optimized fan and air duct. It enables the air conditioner blows air as long as 20m.   | 18K/24K              |
| <b>Strong Airflow</b>             | With improved fan and air duct, the air conditioner supplies up to 25% more air volume than the conventional.  | ◆                    |
| <b>Warm Start</b>                 | Blows no cold air when the unit is starting to work at heating mode, or change from cooling mode to heating mode.  | ◆                    |
| <b>-15°C Heating</b>              | Provides powerful heating performance in cold winter with rotary compressor, etc.  | ◆                    |
| <b>-10°C Cooling</b>              | Works at low ambient temperature with high frequency rotary compressor, optimized refrigerant system and special defrosting programme, etc.  | ◆                    |
| <b>DC Motor</b>                   | Ensures reliable operation with much higher energy saving and lower operation sound.   | ◆                    |
| <b>DC Compressor</b>              | Reduces energy loss and maximize power input to achieve much higher energy efficiency.   | ◆                    |
| <b>Smart Defrosting</b>           | Works only when necessary to reduce energy waste, and provide better experience by reducing defrosting time.   | ◆                    |
| <b>Indoor 5-step Fan Speed</b>    | Works at powerful/high/middle/low/quiet speed to give users more choices in airflow control.   | ◆                    |
| <b>Auto Vertical Airflow</b>      | Moves vertically and works with horizontal flaps to achieve various air angle.   | ◆                    |
| <b>3-minute Protection</b>        | Helps compressor avoid unexpected damages to have longer life.   | ◆                    |
| <b>Auto Restart</b>               | Returns operation to previous air conditioner settings after a sudden power break.   | ◆                    |
| <b>Wide Voltage Operation</b>     | Enable interver AC to start working from 150V-264V   | ◆                    |
| <b>89 Display</b>                 | Shows clearly the real-time room temperature or desired temperature on the panel.  | ◆                    |
| <b>Auto Mode</b>                  | Helps air conditioner choose cooling or heating automatically based on desired temperature and ambient temperature.  | ◆                    |
| <b>Integrated Structure</b>       | Combines the bottom base, drain pan and frame casing together to level up product reliability and lower vibration.   | ◆                    |
| <b>Low Watt Standby</b>           | Lowers stand-by power consumption from 8W to about 1W by optimizing control programme.   | ◆                    |
| <b>Outdoor 7-step Fan Speed</b>   | Makes adjustments according to the control of ambient sensor and tubing sensor to optimize heat exchange performance and improve energy efficiency.  | ◆                    |
| <b>Coanda Plus Airflow</b>        | Makes the wind out of the air conditioner further, faster, and stronger, so that the cool air can be evenly delivered to every corner of the room.   | ◆                    |
| <b>Whispering Air</b>             | Ensures your peace of mind with optimized fan, air duct and motor.   | ◆                    |
| <b>Dry Function</b>               | Adjusts fan speed automatically according to room air temperature to achieve either mild dehumidification or strong dehumidification.  | ◆                    |
| <b>3D Airflow</b>                 | Delivers comfortable airflow to every corner of your room with the constant horizontal and vertical movements of airflow blades.   | Fujinair & Suijinair |
| <b>Intelligent Air</b>            | Directs the airflow upwards at cooling mode, and downwards at heating mode to provide better air conditioning performance.   | ◆                    |
| <b>Sleep Mode</b>                 | Provides maximum comfort and energy saving during your good night's sleep.   | ◆                    |
| <b>Positioning Specifications</b> | Help fix the mounting plate and hang air conditioner at proper position.   | ◆                    |
| <b>Extended Kickstand</b>         | Makes the installation easy with larger operation area to install and service.   | ◆                    |
| <b>Easy Access Control Board</b>  | Simplifies dismounting and maintenance without disassembling casing.   | ◆                    |
| <b>Wider Tubing Space</b>         | Saves installation time with larger operation space for piping and wiring.   | ◆                    |
| <b>Easy Access Fan Motor</b>      | Simplifies dismounting and maintenance without disassembling evaporator.   | ◆                    |
| <b>Self-diagnosis</b>             | Shows the error code on the LED display of the indoor unit to make the maintenance easier.   | ◆                    |

## SPECIFICATIONS

| TYPE            |                         |                               |                      |
|-----------------|-------------------------|-------------------------------|----------------------|
| Category:       | <b>AIR TREATMENT</b>    | Product Code:                 | <b>9521010</b>       |
| Product Family: | <b>Air Conditioning</b> | EAN Code Split (I):           | <b>8435256810929</b> |
| Type:           | <b>SUIJINAIR Series</b> | EAN Code Outdoor machine (E): | <b>8435256810936</b> |

| AESTHETICS |              |                |                  |
|------------|--------------|----------------|------------------|
| Colour:    | <b>White</b> | Aesthetic:     | <b>SUIJINAIR</b> |
| Finishing: | <b>Satin</b> | Body material: | <b>Plastic</b>   |

| PROGRAMME / FUNCTIONS     |            |                   |            |
|---------------------------|------------|-------------------|------------|
| TOSEI AQUA Sterilization: | <b>Yes</b> | WiFi Control:     | <b>Yes</b> |
| Long Distance Airflow:    | <b>No</b>  | Turbo Cooling:    | <b>Yes</b> |
| 3D Airflow:               | <b>Yes</b> | Strong Airflow:   | <b>Yes</b> |
| Triple filter tech:       | <b>Yes</b> | Warm Start:       | <b>Yes</b> |
| Anti-Corrosion:           | <b>Yes</b> | Smart Defrosting: | <b>Yes</b> |

| CONTROLS         |            |                   |              |
|------------------|------------|-------------------|--------------|
| REMOTE CONTROL:  | <b>Yes</b> | Buttons material: | <b>Ruber</b> |
| Pulsante ON/OFF: | <b>Yes</b> |                   |              |

| TECHNICAL FEATURES COOLING       |                              |                             |                             |
|----------------------------------|------------------------------|-----------------------------|-----------------------------|
| Capacity Nominal (Min-Max)BTU/H: | <b>10920 (2730-11940) kw</b> | P. design Capacity:         | <b>3,2 kw</b>               |
| Caapcity Nominal (Min-Max)KW:    | <b>3,20 (0,80-3,50) kw</b>   | P. Input Nominal (Min-Max): | <b>1,138 (0,30-1,50) kw</b> |
| SEER/EER:                        | <b>6,10 / 2,81</b>           | Annual Energy Consumption:  | <b>184 kw</b>               |
| Energy Class:                    | <b>A++</b>                   | Operating Limits Min-Max:   | <b>-10-43°C(out)</b>        |

| TECHNICAL FEATURES HEATING   |                           |                               |                                |
|------------------------------|---------------------------|-------------------------------|--------------------------------|
| Cap. Nominal (Min-Max)BTU/H: | <b>11600 (2730-12280)</b> | P. design Capacity (-10°C):   | <b>2,6 kw</b>                  |
| Cap. Nominal (Min-Max)KW:    | <b>3,40 (0,80-4,00)</b>   | P. Input Nominal (Min-Max):   | <b>1,059 (0,30-1,50) kw</b>    |
| SCOP/COP (Mild):             | <b>4,00 / 3,21</b>        | Annual Energy Consumption:    | <b>910 kw</b>                  |
| SCOP (Warm/Cold):            | <b>4,60 / -</b>           | Operating Limits:             | <b>-15-24°C(out)</b>           |
| Energy Class Mild/Warm/Cold: | <b>A+ / A++ / -</b>       | P. Supply Ph/V/Hz (position): | <b>1/220 - 240/50 (indoor)</b> |

| TECNICAL FEATURES INDOOR    |                |                               |                       |
|-----------------------------|----------------|-------------------------------|-----------------------|
| Air Flow (Cooling/Heating): | <b>520/520</b> | Sound Cooling (Hi/Mid/Lo/So): | <b>39/35/31/19 dB</b> |
| Sound P. Cooling:           | <b>57 dB</b>   | Sound Heating (Hi/Mid/Lo/So): | <b>39/35/31/19 dB</b> |
| Sound P. Heating:           | <b>57 dB</b>   | Moisture Removal 10-3m³/h:    | <b>1,4</b>            |

| TECNICAL FEATURES OUTDOOR   |                       |                            |                |
|-----------------------------|-----------------------|----------------------------|----------------|
| Air Flow (Cooling/Heating): | <b>2100/2100 m³/h</b> | Refrigerant Pipe Diameter: | <b>6,35 mm</b> |
| Sound P. Cooling:           | <b>63 dB</b>          | Gas Side Diameter:         | <b>9,52 mm</b> |
| Sound P. Heating:           | <b>50 dB</b>          | Max Pipe Length/Height:    | <b>20/10 m</b> |
| Running Current Max:        | <b>6,5</b>            | Max Pipe Length Charge:    | <b>5 m</b>     |
| Refrigerant Type:           | <b>R32</b>            | Additional Charge:         | <b>20 g/m</b>  |
| Refrigerant Charge:         | <b>550 gr</b>         | Compressor:                | <b>Highly</b>  |

| ELECTRICAL CONNECTION |                   |                |               |
|-----------------------|-------------------|----------------|---------------|
| Rating:               | <b>220-240 V~</b> | Power cooling: | <b>3,2 kw</b> |
| Frequency:            | <b>50 Hz</b>      | Power heating: | <b>3,4 kw</b> |

| LOGISTIC INFORMATION INDOOR |                       |                      |                   |
|-----------------------------|-----------------------|----------------------|-------------------|
| Net Dimension W/D/H:        | <b>705/193/265 mm</b> | Net/Shipping Weight: | <b>7,8/9,2 kg</b> |
| Package Dimension W/D/H:    | <b>772/325/263 mm</b> | Mater Box:           | <b>1</b>          |

| LOGISTIC INFORMATION OUTDOOR |                       |                      |                   |
|------------------------------|-----------------------|----------------------|-------------------|
| Net Dimension W/D/H:         | <b>700/245/544 mm</b> | Net/Shipping Weight: | <b>22,9/25 kg</b> |
| Package Dimension W/D/H:     | <b>819/320/585 mm</b> | Mater Box:           | <b>1</b>          |