

VACUUM CLEANER
HOME CARE



ZENKAISUI EASY MAX
VACUUM CLEANER AVC-600P

- **Power:** 600W for effective daily cleaning.
- **Cable Length:** 6 meters providing extensive reach without frequent outlet changes.
- **Tube Material:** Lightweight and durable aluminum for effortless handling.
- **Noise Level:** Operates at a comfortable 80 dB, ensuring a quieter cleaning experience.
- **Filtration:** Advanced HEPA + sponge system for superior air quality.
- **Dust Tank Capacity:** Generous 0.9L capacity, reducing the need for frequent emptying.
- **Accessories:** Comes with a plastic long tube, brush nozzle, long nozzle, and wall mount for versatile cleaning options.
- **Design:** Elegant Japanese aesthetics, combining sleekness with practical storage solutions.
- **Mechanized Brush:** Equipped with a motorized brush for enhanced deep cleaning.

ENHANCED CLEANING PERFORMANCE FOR EVERYDAY USE

Powerful Suction: The 600W motor provides ample suction power, making it ideal for daily cleaning tasks and ensuring thorough dirt and dust removal.

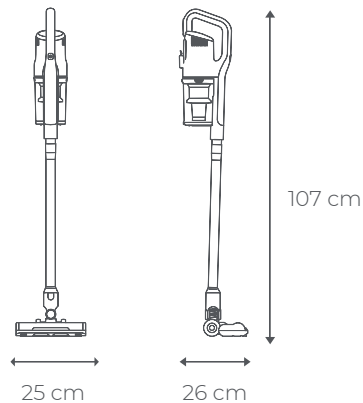
Advanced Filtration: Featuring a HEPA filter and sponge combination, this vacuum traps even the smallest dust particles and allergens, improving indoor air quality.

Spacious Dust Tank: The 0.9L dust tank means fewer trips to the trash, allowing for more uninterrupted cleaning sessions.

Versatile Accessories: Includes a long plastic tube for reaching high places, a standard brush nozzle for everyday use, a long nozzle for crevices and tight spaces, and a wall mount for easy storage.

Mechanized Brush: The motorized brush head agitates carpets and floors for a deeper clean, making it perfect for homes with pets and high-traffic areas.

Power	600 W)
Dirty tank	0,9 L
Cable lenth	6 m
Tube material	Aluminium
Air inlet filter	Hepa+sponge
Noise Level (dB)	80
Accessories	4



600W Power Cord	6m Power Cord	80db Noise Level	0.9L Dust Tank Capacity	Hepa Filter	4 Accessories
Motorized Brush					

MODEL: AVC-600P		
PRODUCT CODE	BAR CODE	MASTER BOX
9361006	8435256810752	6

ZENKAISUI EASY MAX

VACUUM CLEANER AVC-600P

aiwa®

SPECIFICATIONS

TYPE			
Category:	HOME CARE	Product Code:	9361006
Product Family:	Cleaner	EAN Code:	8435256810752
Type:	Vacuum cleaner	Motor power:	600W

AESTHETICS			
Colour:	Black+grey body	Body material:	Plastic
Finishing:	Matte	Tube material:	Aluminium
Aesthetic:	ZENKAISUI	Cable color:	Black

PROGRAMME / FUNCTIONS			
Variable speed:	No	Turbo function:	No

CONTROLS			
Button ON/OFF:	Yes	Buttons color:	Grey

TECHNICAL FEATURES			
Type of brush:	Motorized brush	Air inlet filter:	Hepa + sponge
Type of tube:	Telescopic tube	Dirty Tank:	0,9 L
Accessories:	4	Cordless:	No
Noise Level:	80 dB	Pet Care accessories:	No

ELECTRICAL CONNECTION			
Rating:	220-240V~	Power:	600W
Frequency:	50-60Hz	Cord length:	6 m

LOGISTIC INFORMATION			
Product length:	250 mm	Gross weight (kg):	2,5 kg
Product width:	260 mm	Net weight (kg):	2 kg
Product height:	107 mm	Type of packaging:	Cartone
Width of the packed product:	670 mm	Carton box height:	37 cm
Depth of packaged product:	120 mm	Carton box dimensions:	682x375x370 mm
Height of the packed product:	175 mm	Master BOX:	6