

VACUUM CLEANER

HOME CARE



ZENKAISUI EASY

VACUUM CLEANER AVC-600

- **Power:** 600W for effective daily cleaning.
- **Cable Length:** 6 meters to cover more area without changing outlets.
- **Tube Material:** Aluminum for a lightweight and durable build.
- **Noise Level:** 80 dB, a balanced sound for comfortable use.
- **Filtration:** HEPA + sponge for high-quality air filtration.
- **Dust Tank Capacity:** 0.9L, reducing the need for frequent emptying.
- **Accessories:** Includes a long tube, brush nozzle, long nozzle, and wall mount.
- **Design:** Sleek, light Japanese style that's easy to store and use.

POWER AND PERFORMANCE FOR EVERYDAY CLEANING

Powerful Suction: 600W motor offers ample suction for an entry-level vacuum, making it competent for everyday cleaning tasks.

Extended Reach: The 6m power cord provides a generous cleaning radius, reducing the need to switch outlets frequently.

Aluminum Tube: Durable and lightweight, the aluminum tube is designed for comfortable handling and longevity.

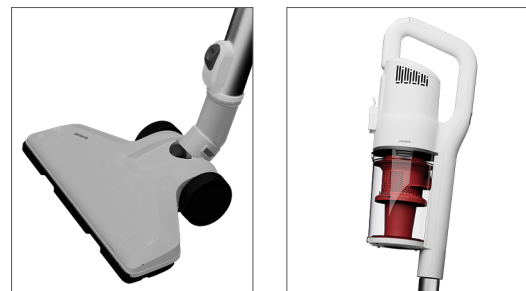
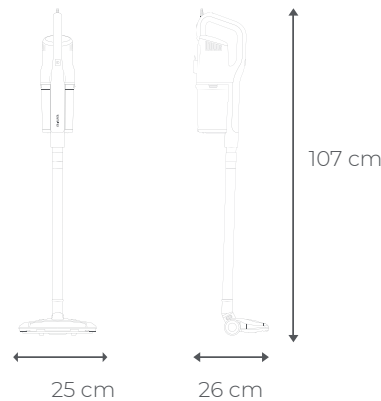
Filtration System: Equipped with a HEPA filter plus a sponge, it traps fine particles and allergens, releasing cleaner air back into the room.

Noise Level: Operates at 80 dB, balancing powerful suction with noise control.

Dust Tank: A 0.9L capacity dust tank means less frequent emptying and more continuous cleaning.

Accessories: Includes a long plastic tube, a standard brush nozzle, a long nozzle for crevices, and a wall mount for convenient storage.

| | |
|------------------|-------------|
| Power | 600 W |
| Dirty tank | 0,9 L |
| Cable length | 6 m |
| Tube material | Aluminium |
| Air inlet filter | Hepa+sponge |
| Noise Level (dB) | 80 |
| Accessories | 4 |



| MODEL: AVC-600 | | |
|----------------|---------------|------------|
| PRODUCT CODE | BAR CODE | MASTER BOX |
| 9361001 | 8435256810493 | 6 |

SPECIFICATIONS

| TYPE | | | |
|-----------------|-----------------------|---------------|----------------------|
| Category: | HOME CARE | Product Code: | 9361001 |
| Product Family: | Cleaner | EAN Code: | 8435256810493 |
| Type: | Vacuum cleaner | Motor power: | 600W |

| AESTHETICS | | | |
|------------|------------------|----------------|------------------|
| Colour: | White | Body material: | Plastic |
| Finishing: | Matte | Tube material: | Aluminium |
| Aesthetic: | ZENKAISUI | Cable color: | White |

| PROGRAMME / FUNCTIONS | | | |
|-----------------------|-----------|-----------------|-----------|
| Variable speed: | No | Turbo function: | No |

| CONTROLS | | | |
|----------------|------------|----------------|-------------|
| Button ON/OFF: | Yes | Buttons color: | Grey |

| TECHNICAL FEATURES | | | |
|--------------------|------------------------|-----------------------|----------------------|
| Type of brush: | Normal brush | Air inlet filter: | Hepa + sponge |
| Type of tube: | Telescopic tube | Dirty Tank: | 0,9 L |
| Accessories: | 4 | Cordless: | No |
| Noise Level: | 80 dB | Pet Care accessories: | No |

| ELECTRICAL CONNECTION | | | |
|-----------------------|------------------|--------------|-------------|
| Rating: | 220-240V~ | Power: | 600W |
| Frequency: | 50-60Hz | Cord lenght: | 6 m |

| LOGISTIC INFORMATION | | | |
|-------------------------------|---------------|------------------------|-----------------------|
| Product lenght: | 250 mm | Gross weight (kg): | 2,5 kg |
| Product width: | 260 mm | Net weight (kg): | 2 kg |
| Product height: | 107 mm | Type of packaging: | Cartone |
| Width of the packed product: | 670 mm | Carton box height: | 37 cm |
| Depth of packaged product: | 120 mm | Carton box dimensions: | 682x375x370 mm |
| Height of the packed product: | 175 mm | Master BOX: | 6 |