

VACUUM CLEANER  
HOME CARE



ZENKAISUI EVO 4 **PET CARE**  
VACUUM CLEANER AVC-620

- **Battery Info:** 25.2V Lithium-ion 3900mAh, 7 cells
- **Vacuum Power:** High speed: 32Kpa
- **Noise Level:** ≤82 dB
- **Air Inlet Filter:** HEPA + stainless steel filter
- **Dust Tank Capacity:** 600ml
- **Accessories:** Wall bracket, self-standing electric brush (S40), adapter, conductive aluminum tube, long flat crevice nozzle
- **Self-Standing Electric Brush:** YES
- **IA Zenkaisui Mode:** Allows changing power device when not needed to improve working time
- **FLEX TUBE:** Yes
- **Motorized Roller with LED Illumination:** YES
- **Digital Screen:** YES
- **Animal Kit:** YES
- **Motorized Roller with LED Illumination:** YES, for hard floors and carpet

**ULTIMATE PET CARE PERFORMANCE**

**Enhanced Suction Power:** With 120AW suction and a powerful 500W brushless motor, the Zenkaisui EVO 4 Petcare tackles pet hair and dirt effortlessly, ensuring a thorough clean every time.

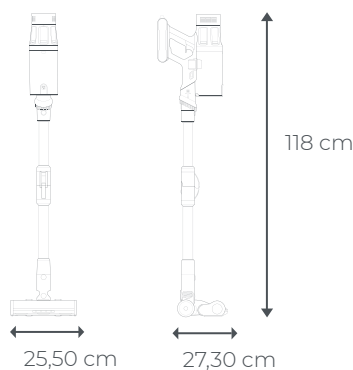
**Specialized Petcare Mode:** Designed specifically for homes with pets, the dedicated pet care mode optimizes performance to effectively remove pet hair and allergens from all surfaces.

**Comprehensive Filtration:** The combination of HEPA and stainless steel filters captures even the finest pet dander and dust particles, improving indoor air quality.

**Versatile Cleaning Tools:** Equipped with an array of accessories, including a self-standing electric brush and long flat crevice nozzle, it's perfect for cleaning pet hair from hard-to-reach areas.

**Extended Runtime:** 25.2V battery provides up to 80 minutes of cleaning, ideal for homes with pets.

Power	500W Brushless motor (BLDC)
Suction	120 AW
Ultra fast Charging time	4-5 h
IA Zenkaisui mode	Yes
Speeds	3 (min, max, auto)
Mechanical brush	Yes
Running time	80 min



<b>500W</b>	Cordless	<b>80</b> minutes Running Time	<b>3900 mAh</b> <b>25.2 V</b> Battery	Ultra Fast Charging	<b>0.6L</b> Dust Tank Capacity
<b>3</b> Speeds	<b>82db</b>	HEPA Filter	<b>3</b> Accessories	FLEX Tube	Digital display
PET Care					

MODEL: AVC-620		
PRODUCT CODE	BAR CODE	MASTER BOX
9316003	8435256810486	2

# ZENKAISUI EVO 4 PET CARE

aiwa®

VACUUM CLEANER AVC-620

## SPECIFICATIONS

TYPE			
Category:	<b>HOME CARE</b>	Product Code:	<b>9316003</b>
Product Family:	<b>Cleaner</b>	EAN Code:	<b>8435256810486</b>
Type:	<b>Vacuum cleaner</b>	Motor power:	<b>500W</b>

AESTHETICS			
Colour:	<b>Dark gray</b>	Body material:	<b>Plastic</b>
Finishing:	<b>Matte</b>	Body material tube:	<b>Aluminium</b>
Aesthetic:	<b>ZENKAISUI</b>	Color filter:	<b>Black</b>

PROGRAMME / FUNCTIONS			
Variable speed:	<b>Yes</b>	Speeds:	<b>3 (min, max, auto)</b>

CONTROLS			
Button ON/OFF:	<b>Yes</b>	Led Screen:	<b>Yes</b>

TECHNICAL FEATURES			
Typ of brush:	<b>Motorized brush</b>	Air inlet filter:	<b>HEPA stainless steel filter</b>
Type of tube:	<b>Aluminium</b>	Dirty Tank:	<b>600ml</b>
Accessories:	<b>3</b>	Cordless:	<b>Yes</b>
Noise Level:	<b>82 dB</b>	Suction Power:	<b>32Kpa, 120AW</b>
Running Time:	<b>Up to 80 minutes</b>	Pet Care accessories:	<b>Yes</b>

ELECTRICAL CONNECTION			
Ultra fast Charging time:	<b>Yes</b>	Power:	<b>500 W</b>
Frequency:	<b>25,2V~</b>	Cordless:	<b>Yes</b>
Battery:	<b>25,2V~ 3900mAh</b>		

LOGISTIC INFORMATION			
Product length:	<b>273 mm</b>	Gross weight (kg):	<b>3,6 kg</b>
Product width:	<b>255 mm</b>	Net weight (kg):	<b>3,3 kg</b>
Product height:	<b>1180 mm</b>	Type of packaging:	<b>Cartone</b>
Width of the packed product:	<b>295 mm</b>	Carton box height:	<b>30,3 cm</b>
Depth of packaged product:	<b>123 mm</b>	Carton box dimensions:	<b>688x131x303 mm</b>
Height of the packed product:	<b>679 mm</b>	Master BOX	<b>4</b>